

Wetroom Concept



INSTALLATION INSTRUCTIONS

VINYL



Wetroom Concept - Installation instructions

This information is subject to change (11/2008).

Wetroom Concept is a system for wet areas comprising floor and wall coverings, drains and accessories.

All Tarkett resilient flooring products are composed of the highest quality raw materials available and are manufactured under strict production control. They will meet the most exacting requirements of architects, contractors, owners and users. Top quality material is only half of the story: a floorcovering's beauty and serviceability is dependant also on proper installation over a suitable subfloor. By carefully using these instructions, it should be simple matter to make each installation a job of which all can be proud.

BEFORE INSTALLATION

• Handling, storage and acclimatisation

- Care should be taken when handling all types of floor and wall coverings to ensure that safety procedures are followed and damage does not occur to the material.
- Check the material for visible defects and/or damage before and during installation.
- Use the same batch number for each continuous surface. Save the details for each roll until the installation is completed.
- The rolls shall be stored in an upright position.
- It is important that the rolls are stored for 24-48 hours before installation at a minimum temperature of 15°C (ideally around 18°C). The pieces of flooring shall be cut to the required lengths, leaving a few centimetres more and stored in the room where they are to be installed. This temperature should be maintained throughout the installation.
- The minimum temperature of the subfloor should be 15°C.
- The relative humidity inside the room should be 50-60%.

• Underfloor heating

It is imperative that underfloor heating systems have been previously commissioned and found to be functioning correctly prior to the installation of the floorcovering. Ensure that the underfloor heating system is switched off 48 hours prior to the floorcovering installation commencing and remains off for at least 48 hours after the installation is complete. During the period of decommissioning of the underfloor heating system, an alternative heating source should be provided, if required, to ensure that the area of installation is kept at a constant temperature of 15°C - 27°C. Gradually increase the temperature over a number of days by only a few degrees per day until the desired room temperature is reached. The temperature should never exceed the floorcovering industry agreed maximum of 27°C at the underside of the floorcovering (the adhesive line).

• Preparation of the subfloor

The subfloor must be smooth, level, clean, dry, structurally sound, moderately absorbent and not exposed to high humidity. The preparation/dryness of the subfloor and installation procedures should all be as per the current relevant building standards in New Zealand. The dryness of a concrete subfloor should be below 75% RH.

IMPORTANT: to allow perfect water drainage, the subfloor should be a slope of at least 1 cm per metre towards the drain.

- Use a water-resistant levelling compound when patching or filling in areas where wet conditions exist.
- Subfloors made of particle board shall be installed according to the respective manufacturer's directions.
- If the subfloor is painted, damp-proofed or non-absorbent, then you must allow the acrylic adhesive to become "tacky" before installing the floor.
- Seams are not recommended within a 0.5 m radius of floor drains. Contact Jacobsen Creative Surfaced Ltd if unsure about any part of the installation.
- For specific subfloor types and preparation, please contact Jacobsen Creative Surfaces Ltd.

Note: although Tarkett may on occasion list a choice of acrylic adhesive and levelling compound manufacturers and types, we do not however guarantee the products listed. The list of products and manufacturers are not guaranteed complete or current. Tarkett would not accept any liability for any of these products failing to perform in conjunction with any of their products. It is the responsibility of the acrylic adhesive and levelling compound manufacturer and flooring contractor to ensure the products being used are appropriate for use and applied in accordance with the manufacturers' recommendations.

• Adhesives

Tarkett recommends the use of water-dispersed Acrylic adhesive for the Wetroom Concept.

Please Note: Use of other adhesive types may void any material warranties. It is the responsibility of the adhesive supplier and flooring contractor to ensure adhesives being used are appropriate for use and applied in accordance with the manufacturer's recommendations.

• Protection of installation

If building work is carried out after installation, the floor should be covered for protection. Masking tape must not be stuck directly to the floor. If it is necessary to put the floorcovering to use at an early stage, protect the installation with hardboard or plywood.

• Technical assistance

Companies that have not had experience of using Wetroom Concept should contact Jacobsen Creative Surfaces Ltd for advice.

• Project Management

The reputation of Tarkett Wetroom Concept is based on more than 20 years of quality installation. We advise project managers to ascertain the experience of the company bidding to install Wetroom Concept.

Quick overview

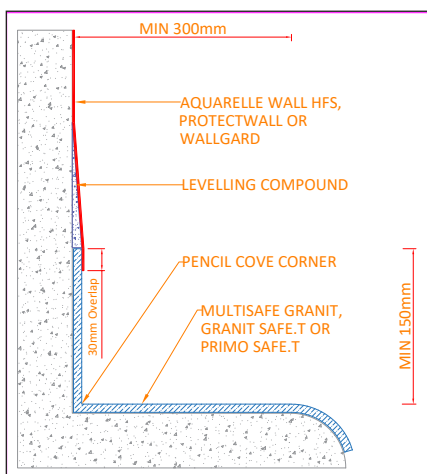
Start with the installation of a drain and minimum of 30 cm from the walls (measuring from the edge of the drain).

The flooring is pencil cove to approximately 15 cm up the wall. The Wall and Floor vinyl should be joined using the Jacobsen Floor/Wall Finishing Strip (refer diagram below). When using Tarkett Granit Safe.T, Primo Safe.T, Wallgard and ProtectWall the overlap method is acceptable. For best results the top section of the cove vinyl should be tapered off gradually to the wall using a water-resistant levelling compound or a 2mm Reducer Strip. Wallcovering should overlap cove vinyl by at least 3cm.

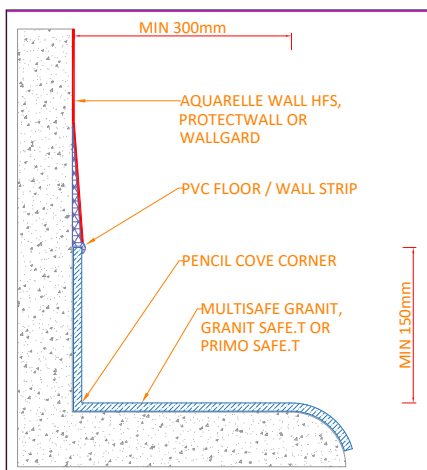
When using a 2mm Wall Vinyl the cove Vinyl and Wall Vinyl should be thermo rod welded. Wallguard 2mm can be welded horizontally to Granit Safe.T, Granit Multisafe and Primo Safe.T without overlapping or using a reducer strip.

On external corners a radius can be added to the wall to reduce the stress marks on the vinyl as it is installed around the corner.

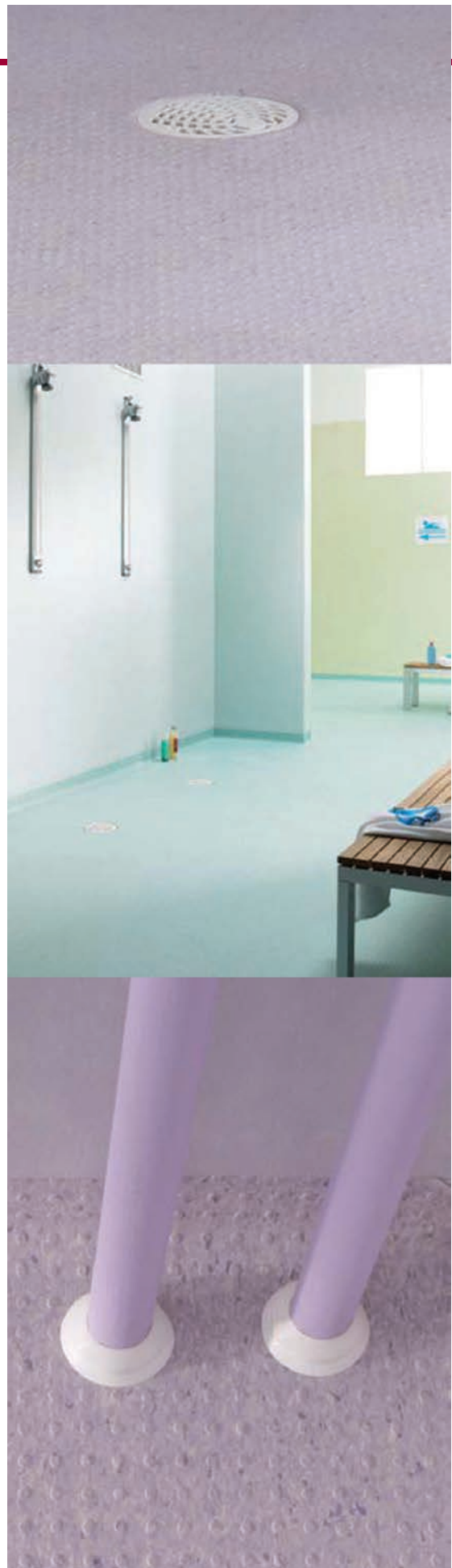
To achieve a perfect watertight installation, all the floor and wall sheets must be hot welded using Tarkett welding rods. For the best result, use a speed welding nozzle. For removal of excess welding rod use a special trimming knife or an equivalent tool.



With junction coving and cove former



With levelling compound and without cove former



Installing the drain

IMPORTANT: to allow perfect water drainage, the subfloor must have a slope of at least 1cm per metre towards the drain.

The drain must be located a minimum of 30cm from the walls and should be installed by a plumber.

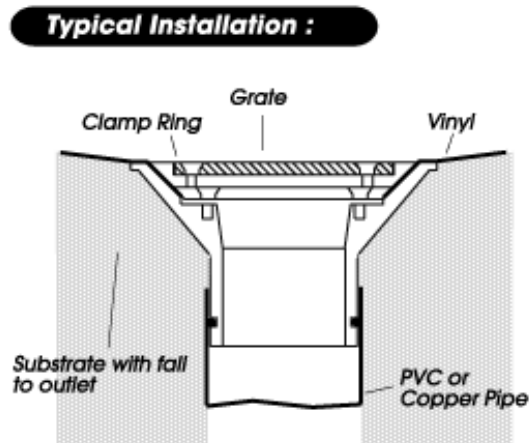
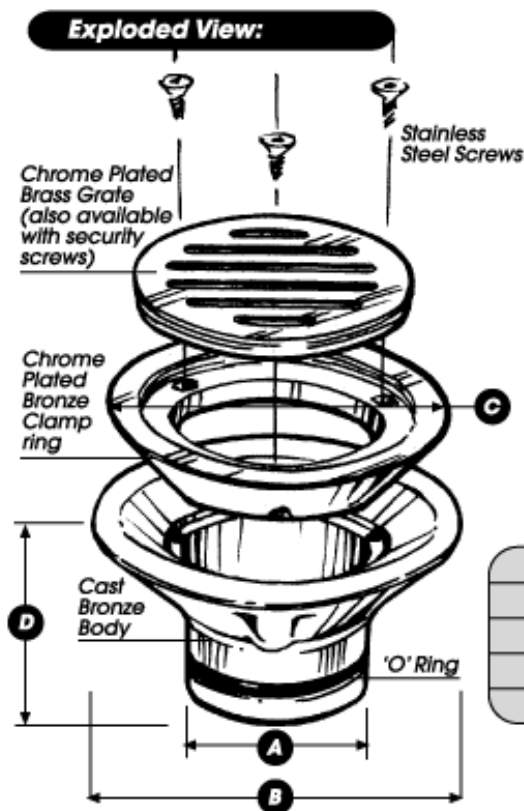
- **Floor waste**

Ensure floor waste used is suitable for vinyl. The vinyl **MUST** be able to be feed into the waste and clamped. The following are suitable and recommended:

- Allproof Industries Vinyl Clamp Ring Gate (flow through)
- Metrix 5700 Valentin Series (in-built trap)



Vinyl Clamp Ring Gate



Data	50mm	80mm	100mm
A	50	75	100
B	115	150	170
C	95	130	145
D	55	60	55

Installing the floorcovering

■ GRANIT MULTISAFE, GRANIT SAFE.T or PRIMO SAFE.T

• Cutting the Sheets

When cutting the sheets, make sure there is enough material for the coving (the sheets should be cut longer than the room length). During the laying, the temperature of the subfloor and the room should not be lower than 15°C. Pre-cut 24 hours before gluing and lay the flooring flat to allow the material to relax and adapt to room temperature. This is especially important for long lengths.

When a sheet fits the width of the room, make a cross mark on the bottom of the material and the subfloor to indicate the centre. This will help you place the sheet in its exact position. The cross marks should coincide when placing the material.

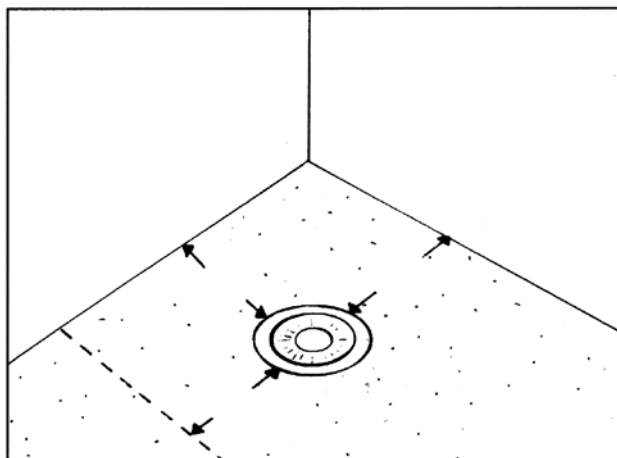
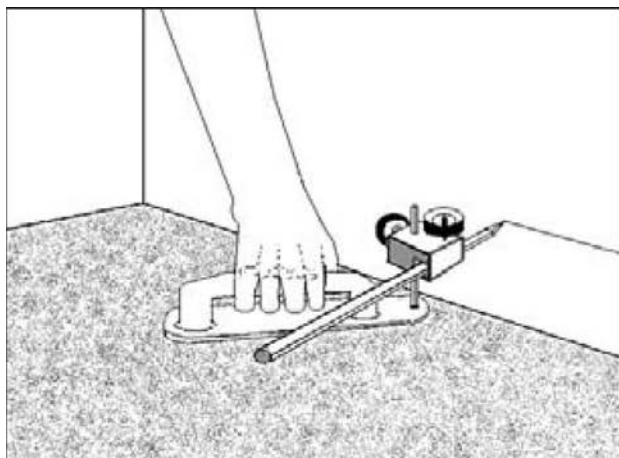
When the width of the room exceeds the sheet width (more than one piece has to be installed to cover the area), mark a line on the floor parallel to the longitudinal wall at a distance equivalent to 12 cm less than the sheet width. Mark the room's centre on this line. On the bottom of each sheet, mark their centre. The cross marks on the subfloor and sheets shall coincide.

Sheets shall always be reversed to prevent shading effects. Caution: all welded joints must be at least 30 cm from the drain.

• Tracing the coving

Using a straight edge and pencil, mark up to a height of about 15 cm all walls where the flooring will be covered. When marking, only use a lead pencil.

Apply the acrylic adhesive on the walls up to the marked line, using a fine notched trowel. Spread some of the acrylic adhesive out on to the floor.



Installing the floorcovering

• Drain pipes and floor drains

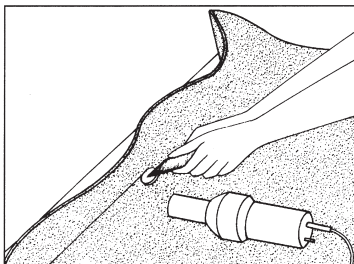
IMPORTANT: no glue around and inside the drains!

Above drain pipes, fold the sheet against the pipe and mark the center of the pipe on the back of the floor.

Cut a hole about 25 mm smaller than the diameter of the pipe. Cut the hole at the start of the fold. Warm the sheet with a hot air gun and press it over the pipe.



• Laying and coving



In areas where one sheet is sufficient to cover the floor, the acrylic adhesive can be applied over the entire surface area before installing the sheet.

In areas where several sheets are necessary, fold back and loosen the sheets covering half of the floor area. Apply the acrylic adhesive on the subfloor with a fine-notched trowel (300 to 350 g/m²). Use a soft brush in hard-to-reach areas. Follow the respective manufacturer's instructions for the acrylic adhesive you have selected.

Use a corner roller to obtain smooth corners when coving. With the corner roller, press the material firmly into the juncture between the floor and wall.

After waiting for the acrylic adhesive to become tacky, lay the first section of the sheet (or sheets). Position carefully. Raise the second section of the sheet or sheets and continue laying using the acrylic adhesive.

The coving must be fixed with double-gluing using a suitable acrylic adhesive (acrylic adhesive applied using a brush on the substrate and the reverse), in accordance with the time required for the acrylic adhesive to become tacky.

Installing the floorcovering

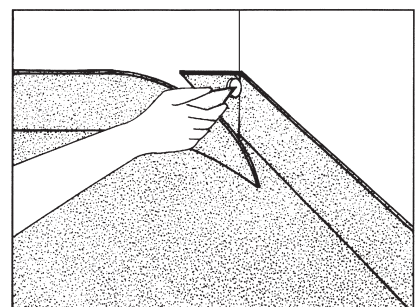
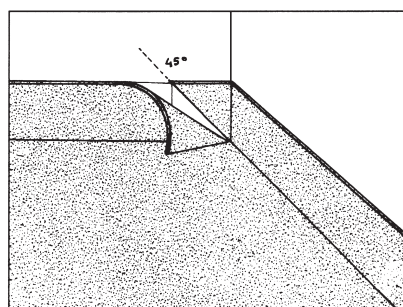
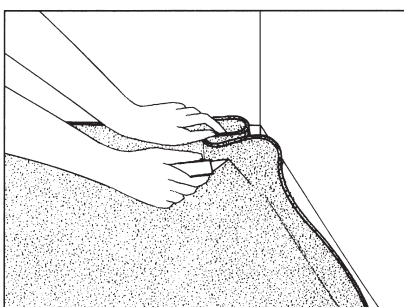
• Corners

Inside corner

When fitting in-corners, make a cut in the excess material starting about 5 mm above the floor in the corner. The material has to be heated before folding, heat the area between the sheet and the wall. This provides better contact between the sheet and acrylic adhesive.

Press the material firmly into the corner with a corner roller.

The corner seam shall be placed on one of the walls at a 45° angle



Outside corner

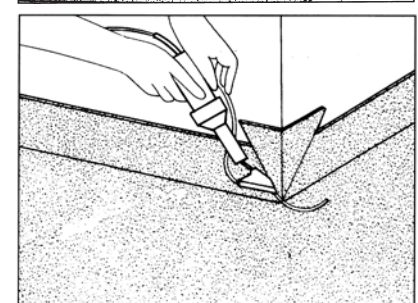
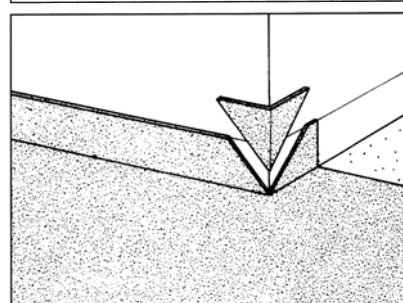
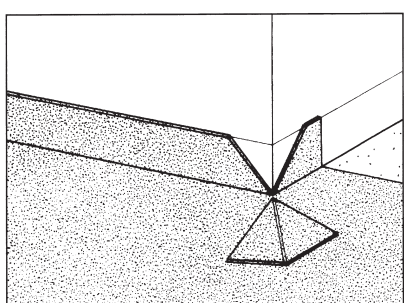
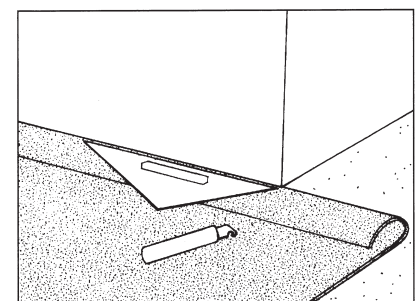
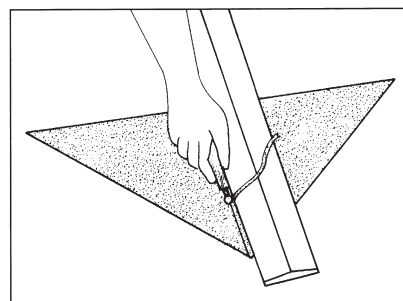
When fitting an out-corner. The sheet is folded against the corner and cut about 5 mm from the floor. The guidelines in the picture show the corner on the sheet and the position of the cut at about a 45° angle. Then a diagonal cut is made as shown.

To adhere the triangle-shaped piece more simply and securely, cut a groove on the back of the triangle with a corner knife. The depth of the groove shall be no deeper than half of the sheet thickness.

The triangle can now be folded and placed on the corner. It will overlap the covered floor. Cut through the overlapping material to make a tight fit.

Glue the substrate and the reverse of the flooring with a suitable acrylic adhesive.

When the acrylic adhesive becomes tacky, press the upturn against the wall.



Installing the floorcovering

• Hot Welding

Important: always wait 24 or 48 hours after laying before welding the floor joint using the welding rod. Do not start welding until the acrylic adhesive is completely dry.

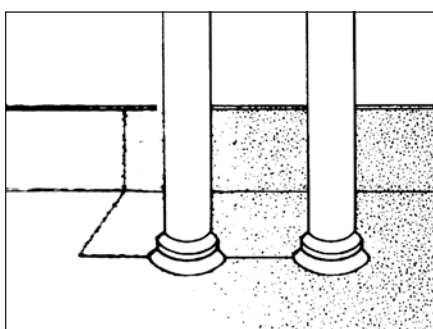
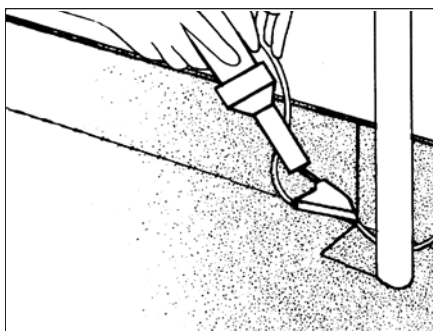
All welding seams are grooved with a Grooving Machine or a Seam Grooving Tool with a hardmetal blade. Weld with a Hot Air Gun and Tarkett Speed Welding Nozzle or any suitable Speed Welding Nozzle specially designed for welding vinyl floors. Then trim the welding rod with the special Trimming Knife. If the raised parts of the embossed pattern are too close to the seam, cut them off at the same time as you trim the welding rod.

CAUTION: welded seams must cool to room temperature before trimming. Start trimming where you began welding. All trimming of welding rod is recommended in two steps: rough and fine trimming. With a Trimming knife rough and fine trimming can be done by turning the knife. When fine trimming welding rod, turn the grooved side up.

• Pipe Works

As far as possible it is best to avoid pipework penetrating the floor by making the necessary arrangements at design stage (grouping vertical outlets into a services conduit or siting them within studwork partitions).

Around pipes by walls, cut the sheet and press it against the pipe to form a collar. In tight or cramped areas between pipes and walls, cut as shown by the dotted line. If a cover is required, do the following: if you make a cover out of floor material, fit it against the pipe with acrylic adhesive. Weld the seams together using a repair gun.

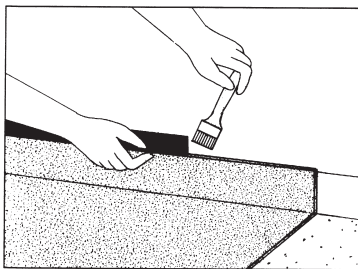


Installing the wall covering

PREPARATION OF THE WALLS

If necessary remove previous coverings. On a block or porous substrate, apply a suitable primer. Do not use paint, even diluted.

• Installing the material



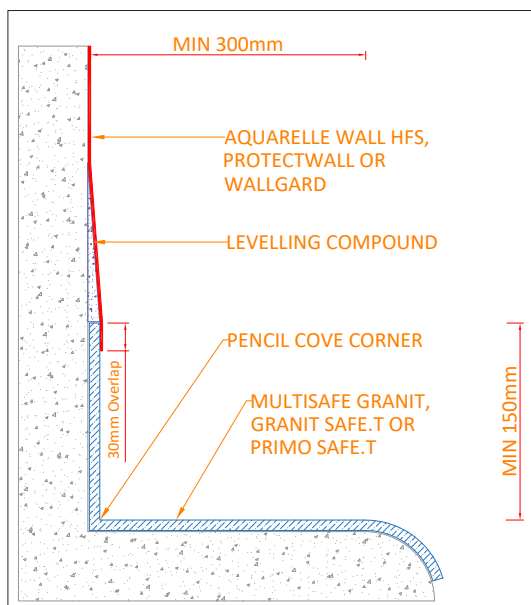
When installing Aquarelle Wallgard, Wallgard 1.3mm or ProtectWall 1.5mm in conjunction with Granit Multisafe, Granit Safe.T or Primo Safe.T, the Jacobsen PVC Floor/Wall Joiner Strip should be used.

Cut 24 hours before gluing. Minimum ambient temperature: + 15° C.

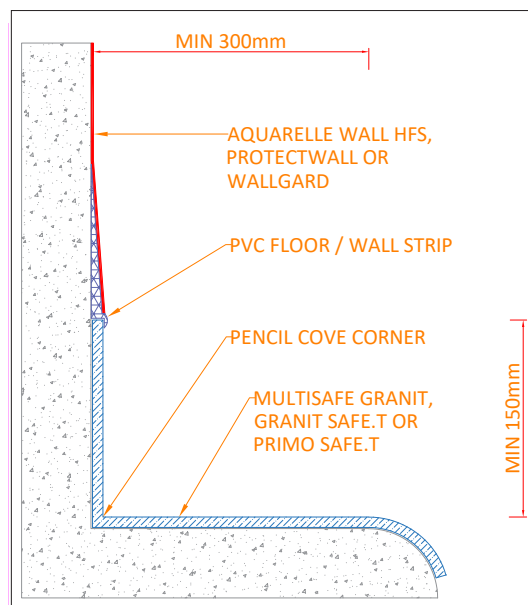
For a perfect overlapping (levelling compound or Reducer Strip)

Before installing the wallcovering on the floorcovering, the upper edge of the coved floor material should be filled in using a water-resistant levelling compound that you will sand to achieve a smooth juncture.

To compensate for the thickness of the coving, a 2mm Reducer Strip can also be used. Apply the profile by double-gluing using a suitable acrylic adhesive.



With junction coving and cove former



With levelling compound and without cove former

• Caution

The sheets must never be cut in the corners and joints must be located as far away from the wet area as possible and at least 10 cm from a corner. Allow for an overlap of at least 3 cm over the floor coving.

Installing the wallcovering

- **Vertical installation**

The sheets can be installed vertically and hung over the whole height of the room (sheets reversed).

- **Horizontal installation**

When wallcladding is not installed to ceiling height, ensure that a capping system is used such as a timber moulding fitted to overlay edge of vinyl, a PVC Capping Strip or Silicone Bead.



- **Gluing**

Coat the wall over the width of a sheet down to the coved flooring with Uzin KE 2000S acrylic adhesive recommended by Tarkett, using a fine-notched trowel (220 to 250 g/m²) starting from the plumb line previously drawn onto the wall.

Wait for the acrylic adhesive to become tacky, then place the first sheet in line with the plumb line. Position very carefully. For the second sheet, coat the substrate with acrylic adhesive and hang sheet reversed, either by butting it up tight, edge to edge (Important: first check the condition of the edges), or by overlapping the edges by about 3 cm.

In the overlapping case, to cut the joint, heat with the heat gun and cut with a straight blade or using the Combined scribe (see page 14).

For multiplied sheets, continue with this process.

Jacobsen recommend the use of Uzin KE 2000S acrylic adhesive for wall covering installation. **Do not use** solvent based neoprene contact adhesives as these can cause plasticiser migration.

- **Corners**

Inside corner

To create the corner, use the corner roller, while heating the covering with the heat gun. Where the corner of the substrate is not straight, cut the covering vertically, at least 10 cm from the corner and continue hanging.

Outside corner

Hang by double-gluing using a suitable acrylic adhesive 5 cm each side of the corner. In case of a non-vertical corner, cut at 10 cm from the corner and continue hanging.

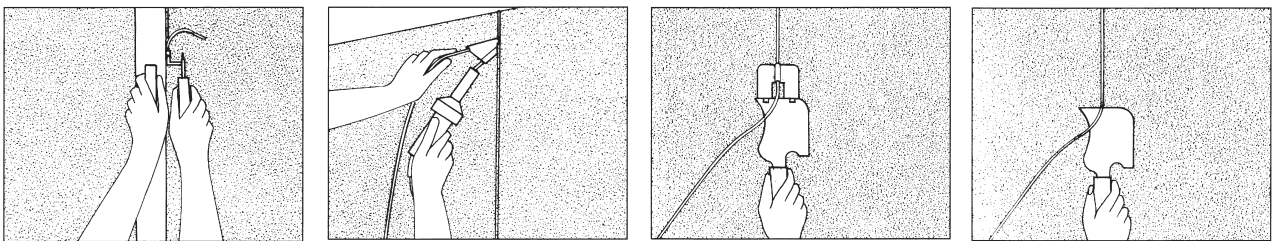
After installation

- **Hot welding the joints**

The joint is opened using a Grooving tool (Gouge for wall) supported by a Thick ruler.

Weld from top to bottom using the Speed nozzle.

Trim in two stages using the Trimming knife, pre-trimming using a Trimming guide and finishing with the Trimming knife without the guide.



CAULKING

Where floor or wall coverings are perforated, watertight chemical plugs are used or the inside of the plug is filled with a suitable watertight mastic (of the polyurethane or MS polymer type) before fixing accessories and sanitary equipment using screws. In addition, watertight mastic must be applied between the surfaces in contact.

For example: when installing a WC (with a wall-hung bowl for preference), proceed as indicated above and in addition, use watertight mastic under the bowl before installation.

Use a suitable mastic (acrylic, polyurethane or MS polymer type) around door frames, at the base and top of the wall covering and around any fixings installed after the Aquarelle Wall HFS is hung.

